

Comfort Walk in Tubs

7210 Jordan Ave., Suite B20
Canoga Park, CA 91303
Toll Free: 888-399-1211, CA local: 818-710-1805

Comfort Walk in Tubs – Acrylic 101 Deluxe Walk in Tubs



Acrylic 101 Deluxe Owner's Manual

http://comfortwalkintubs.com/acrylic_walk_in_tub.html

Comfort Walk in Tubs

7210 Jordan Ave., Suite B20
Canoga Park, CA 91303
Toll Free: 888-399-1211, CA local: 818-710-1805

TABLE OF CONTENTS

Receiving and Inspecting	3
Unpacking.....	4
Safety Instructions	5
Deluxe Tub Overview.....	6-7
Deluxe Tub Specifications	8
Installation Testing Procedures	
Electrical	9
Preparing the Subfloor	9
Service and Ventilation.....	10
Door and Seal	10
Water Supply	10
Testing the Tub.....	11
Finishing Installation.....	12
Operating Instructions.....	13
Cleaning and Maintenance	14-15
Parts and details.....	16-17
Wall Extension Kit	18
Warranty Activation.....	18-19

Comfort Walk in Tubs

7210 Jordan Ave., Suite B20
Canoga Park, CA 91303
Toll Free: 888-399-1211, CA local: 818-710-1805

INSPECTION, RECEIVING, OR REFUSING THE PACKAGE AND PRODUCT

Please make sure to **inspect the package** and crate for any possible damages. In case of any damage to the package or crate, immediately notify your shipping agent and record the damages on the bill of lading, and make sure to record the shipping agent's signature and retain a copy of the bill of lading for proof. If at all possible, document and take photos of any damage to the crate or product. In the event that there is damage, you must refuse the shipment and **call Comfort Walk in Tubs (CWIT)** immediately, as well as e-mail the photos of the damage to: mel@comfortwalkintubs.com. This will help us expedite your product exchange or replacement as soon as possible. Please make sure to keep the signed copy of the bill of lading from the shipping agent. Any shipping damages must be reported to the shipper and CWIT immediately. Send a copy of the bill of lading to CWIT for immediate claim processing. The damages must be noted in the bill of lading upon reception of the product; otherwise, product damages and replacement costs will be the customer's responsibility.

If the crate is in good condition or with minor imperfections and there is a suspicion that the material inside may be damaged, please record it on bill of lading and ask the shipping agent to sign it. You must keep a copy of the bill of lading. In most cases, the minor damages to the surface of the packaging may not affect the product, but any signs of defects must be recorded with the shipping agent present. All product damages must be reported within 24 hours of receipt from Comfort Walk in Tubs or its Vendor. Claims WILL NOT be processed if the proof of the damage is not reported within 24 hours.

http://comfortwalkintubs.com/acrylic_walk_in_tub.html

Comfort Walk in Tubs

7210 Jordan Ave., Suite B20
Canoga Park, CA 91303
Toll Free: 888-399-1211, CA local: 818-710-1805

UNPACKING AND INSPECTING THE PRODUCT

1. Remove screws and nails from the wood crate with care so the cardboard packing is not damaged. Please retain the wood crate and parts until satisfactory inspection of the product has been done by the installer.
2. Remove the cardboard packing with care. Retain the carton and bubble wrap packing until satisfactory inspection of the product has been done by installer. The original packing is required in case of returns or exchanges. Be careful not to scratch the surface of the bathtub on exposed staples, nails, or any tools.
3. Remove the end access panel before removing the product from the crate. Remove the screws from the tub legs supporting the tub frame to detach the tub from the crate base- never lift the bathtub by the plumbing fixtures or parts! Lifting or pulling plumbing parts will result in product damage and water leakage and will void your walk-in bathtub warranty. Lift the tub only by the frame or bathtub shell. Do not lift the tub by the wall panels or any parts to avoid damage. Also, make sure not to damage the parts (jets, drain, etc.) on the bottom of the tub while carrying the tub (some of these parts are on the bottom of the tub, and will be exposed).
4. Inspect the shell and bathtub components. If any defects or damages are found on the acrylic finish of the tub, or if there is visible damage to the components, do not install the bathtub. Damages or defects to the finish claimed after the walk-in bathtub is installed are not covered by the Comfort Walk in Tubs' warranty.

Comfort Walk in tubs assumes all responsibilities for any damages to the product prior to, and throughout delivery, and will cease upon reception of the walk-in bathtub. Refer any claims for the damages to the carrier. For warranty details, refer to the warranty information located at the end of this manual.

READ THESE IMPORTANT SAFETY INSTRUCTIONS COMPLETELY BEFORE INSTALLING AND USING YOUR PRODUCT. YOU MUST FOLLOW ALL INSTRUCTIONS IN THIS MANUAL. FAILURE TO DO SO WILL RESULT IN YOUR ASSUMPTION OF LIABILITY THAT MAY OCCUR BY SAID INSTALLER.

FAILURE TO COMPLY WITH ALL INSTRUCTIONS CAN RESULT IN PRODUCT DEFECT AND PERSONAL INJURY TO THE HOMEOWNER AND/OR INSTALLER.

http://comfortwalkintubs.com/acrylic_walk_in_tub.html

Comfort Walk in Tubs

7210 Jordan Ave., Suite B20
Canoga Park, CA 91303
Toll Free: 888-399-1211, CA local: 818-710-1805

IMPORTANT SAFETY INSTRUCTIONS

WARNING

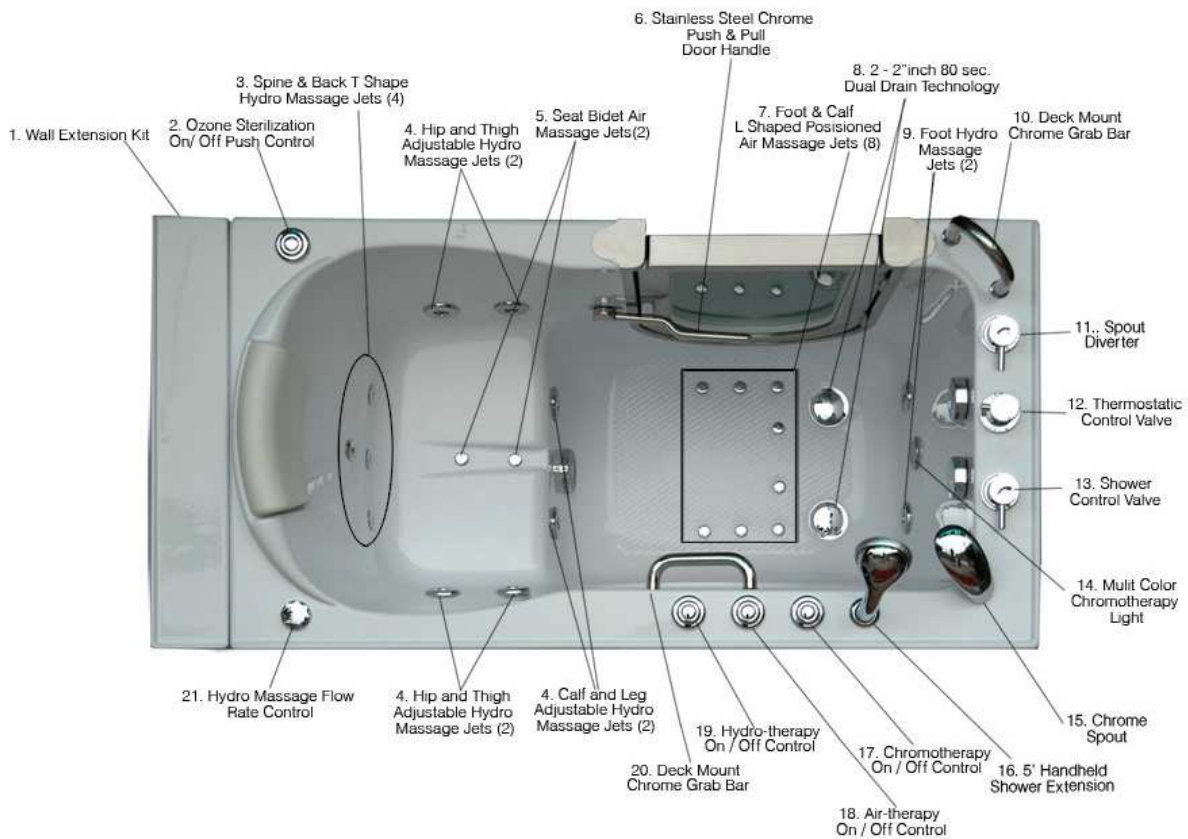
- When using this product, basic precautions should always be followed. Read and follow all instructions pertaining to risk of fire, electric shock, and/or injury.
- Use this unit for its intended purpose, or as described in the manual. Use only the parts and attachments provided, or as recommended by the manufacturer.
- Temperature in excess of 100.4F (38 Celsius) may be harmful to your health. Check and adjust the temperature before use.
- Avoid the use of alcohol, drugs, or medication while using your walk in tub.
- Consult your physician before using the whirlpool/air system if you are pregnant and/or have a heart condition.
- People using medications, herbal remedies, sleep aids, and/or having adverse medical history should consult a physician before using this product.
- **DANGER:** To reduce the risk of injury, do not permit children or persons with disabilities to use this product unless they are closely supervised at all times. To avoid injury, exercise caution when entering or exiting the walk-in tub.
- Never drop or insert any objects into any openings.
- Risk of electric shock: Do not permit electric appliances (such as a hair dryers, lamps, telephones, radios, televisions, etc) within 3 feet (1.5m) of the tub.
- Traction enhanced, textured bathtub floor must remain clean to minimize slippage.
- The A101 Walk-In tub is not intended for any outdoor use. Install the unit in accordance with the instructions included in this manual.
- Please use a licensed contractor, plumber, and electrician for installation.
- Avoid using your heated tub after strenuous or excessive exercise.
- As the installation manual details – do not use abrasive materials to clean A101 acrylic tub finish.
- Do not submerge body in heated tub for extended periods of time to avoid hyperthermia; The symptoms of hyperthermia include an increase in body temperature which can result in dizziness, lethargy, drowsiness, and fainting.
- Women who are pregnant should not use heated walk in tubs due to risk of possible fetal harm.
- To avoid any accidents, exercise caution when entering and exiting the tub.
- Make sure and have your licensed electrician test all outputs connecting to the dedicated line out.
- Do not turn on the tub jets without water in the tub – water should be well above the jets before jets are activated.
- Thoroughly read and complete the instruction manual before beginning installation

http://comfortwalkintubs.com/acrylic_walk_in_tub.html

Comfort Walk in Tubs

7210 Jordan Ave., Suite B20
Canoga Park, CA 91303
Toll Free: 888-399-1211, CA local: 818-710-1805

LIST OF FEATURES WITH LEGEND



- | | |
|---|---|
| 1. Wall Extension Panel Kit | 11. Spout Diverter |
| 2. Ozone Sterilization On/ Off Push Control | 12. Thermostatic Control Valve |
| 3. Spine & Back T Shape Hydro Massage Jets | 13. Shower control valve |
| 4. Hip and Thigh Adjustable Hydro | 14. Multi Color Chromo therapy |
| 5. Jets Seat Bidet Air Jets | 15. Chrome Spout |
| 6. Stainless Chrome Door Handle | 16. Handheld Shower Extension |
| 7. Foot and Calf L Shaped Air Massage Jets | 17. Chromo Therapy On/Off Control |
| 8. 2 - 2" inch 80sec. Drain | 18. Air Therapy On/Off Control |
| 9. Foot Hydro Massage | 19. Hydro Therapy On/Off Control |
| 10. 10 Deck mount Chrome Bar | 20. Deck Mount Interior Chrome Grab Bar |
| | 21. Air Massage Flow Rate Air Control |

Comfort Walk in Tubs

7210 Jordan Ave., Suite B20
 Canoga Park, CA 91303
 Toll Free: 888-399-1211, CA local: 818-710-1805

LIST OF FEATURES WITH LEGEND CONTINUED



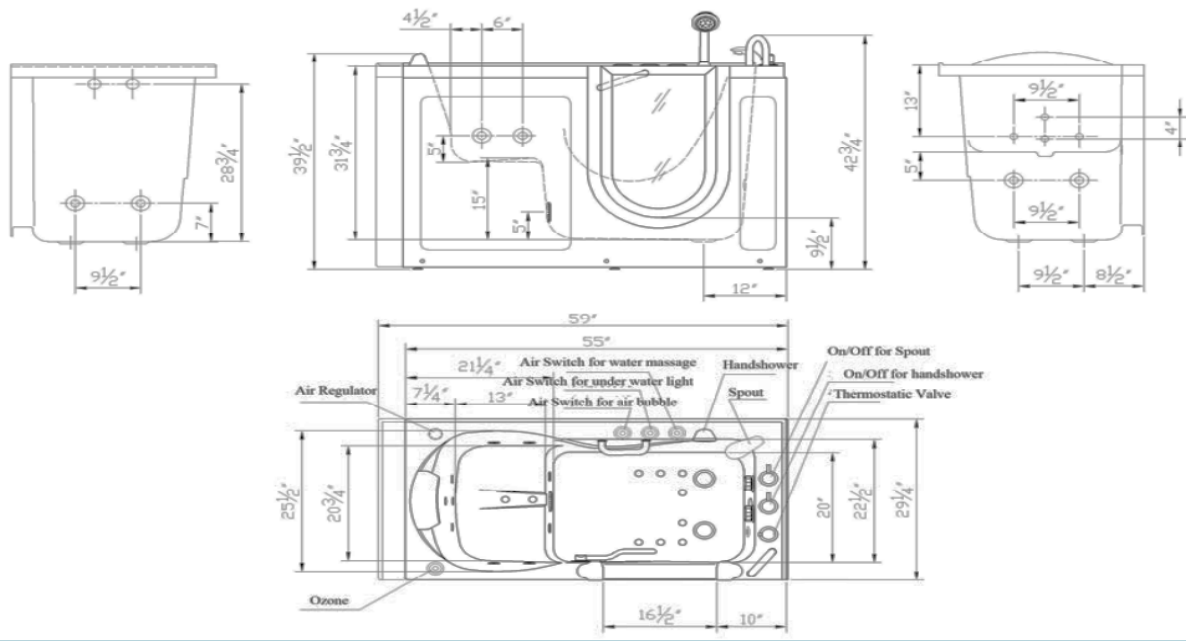
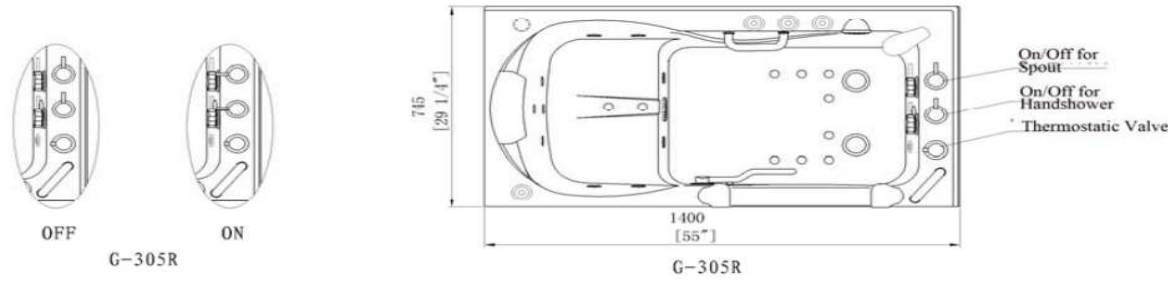
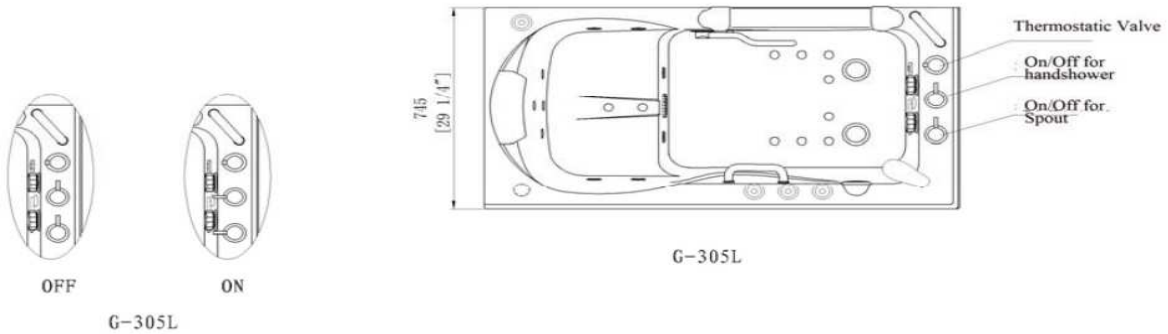
- | | |
|---|--|
| 1. Removable Rubber Back Rest | Tub shell (5mm grade A acrylic white, gloss finish) |
| 2. Hand Held Shower Mixer with Pull Out 5 Foot Hose | Stainless steel frame (with adjustable height 7 legs for easy leveling) |
| 3. Full Body Brass Chrome Spout | Hydraulic 1HP water pump |
| 4. Small Access Panel | Hydro massage jets: 12 |
| 5. Stainless Steel & Tempered Glass Door | Air pump 0.5HP |
| 6. Large Access Panel | Air jets: 10 |
| 7. End Access Panel | Pneumatic control on/off switch for air and hydromassage jets, and ozone generator |
| | Pneumatic control switch for hydro massage flow rate adjustment |
| | Stainless steel tempered glass door |

http://comfortwalkintubs.com/acrylic_walk_in_tub.html

Comfort Walk in Tubs

7210 Jordan Ave., Suite B20
 Canoga Park, CA 91303
 Toll Free: 888-399-1211, CA local: 818-710-1805

A101 DELUXE SPECIFICATIONS



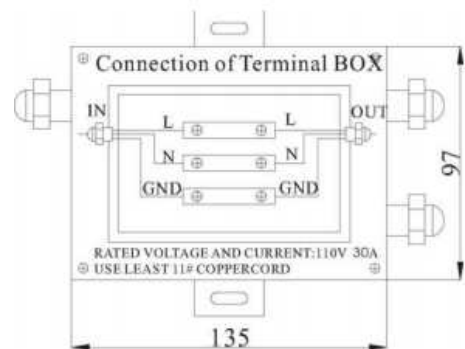
Comfort Walk in Tubs

7210 Jordan Ave., Suite B20
Canoga Park, CA 91303
Toll Free: 888-399-1211, CA local: 818-710-1805

ELECTRICAL – DRAIN - SUBFLOOR - DOOR - SEAL

PROTECTING THE TUB: Cover and protect the bathtub shell and fixtures from scratches or other damages during the tests and installation.

ELECTRICAL: The unit must be connected to a circuit protected by a ground fault circuit interrupter (GFCI) provided and installed by a licensed electrician and tested periodically (read and follow GFCI original manuals and instructions to assure correct testing and usage of GFCI) - A separate 110V, 30 Amp GFCI breaker is required. A dedicated line must be run from a breaker to the unit's electrical junction box following local building and electrical codes. Usually, the black/brown wire (top) is live/hot, the blue/white wire (in the middle) is neutral, and the green wire (bottom) is the ground. Wiring must be done by a licensed electrician.



- Do not use electric extension cord to power the unit.
- Operating the pumps without enough water in the bathtub can cause permanent damage.

Push the GFCI test button in to reset mode. If the GFCI fails to operate in this manner, there is a ground current flowing or a device malfunction, indicating the possibility of electrical shock - If this occurs, turn OFF the power and do not use the bathtub until the source of the problem has been identified and corrected.

DRAIN: Insure that the drain rough has been placed at the proper location. See specifications and drawings. The dual drain can be connected with a T or Y connector into 2" or 1 ½" of existing house drain. Proper materials must be used based on local plumbing code requirements. *Note: Flexible drains are not allowed in some states. The customer and contractor are responsible for using the appropriate materials per its state or cities plumbing code. Flex drains are supplied as testing material. (see note)

SUBFLOOR: Prepare the subfloor for the drain and ensure that area is level. The supporting subfloor must be able to support the total weight of the bathtub, bather and water.

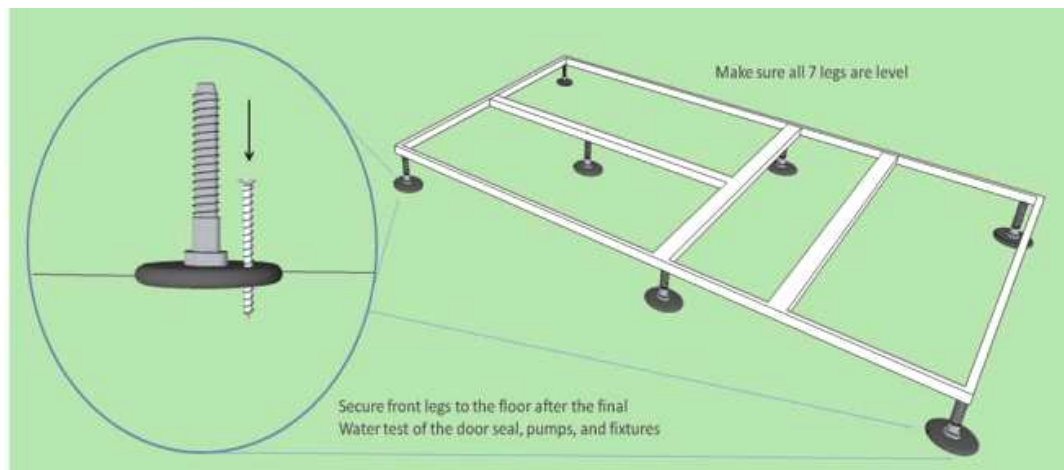
Use a leveler and make sure that the subfloor below the tub is leveled. If the floor is not perfectly level, adjust all 7 leveling legs to realign the tub to a perfect level. It is important that all 7 leveling legs are completely supporting the tub (touching the floor) and the tub is leveled for the door seal to work properly. If the tub is not perfectly leveled, it could result in water leakage and void the warranty.

http://comfortwalkintubs.com/acrylic_walk_in_tub.html

Comfort Walk in Tubs

7210 Jordan Ave., Suite B20
Canoga Park, CA 91303
Toll Free: 888-399-1211, CA local: 818-710-1805

ELECTRICAL – DRAIN - SUBFLOOR - DOOR - SEAL (continued)



Adjust the legs and lower the tub to the floor base, lower to within 1/16th of an inch above the floor or tiling. Lower the tub as much as possible and seal with caulking, if appropriate.

If the subfloor does not support the total weight of the bathtub, bather, and the water, it can result in the warping of the shell, misalignment of the door, and/or create leaks or damages to the bathtub and/the building structure.

SERVICE ACCESS AND VENTILATION: It is the responsibility of the installer or owner to provide access for service required, per code. Comfort Walk in Tubs is not responsible for any costs related to obtaining access for repair. The owner shall assume responsibility for such costs, and if appropriate, must seek recovery from the installer.

- Do not insulate around the equipment (motors and other electrical parts).
- Provide adequate air supply and ventilation for cooling of pumps.

DOOR AND SEAL: Please keep in mind that the door has been closed for an extended period of time throughout shipping and the tub has been stored in various temperatures. When the tub is received, the door seal must be reformed and adjusted, as it may have possibly stuck to the frame throughout storage and shipping in various temperatures. In cases such as these, the door seal must be released and rested with the door open. It can be done by squeezing the seal with your finger tips and pulling it away from the door frame to regain its flexibility and original form. It is highly suggested that the door be kept in the open position while the tub is not in use to increase the lifetime of the door seal and maintain its flexibility.

WATER SUPPLY: Comfort Walk in Tubs A101 Deluxe come with two 4 ft long 3/4" flexible water supply lines. It is recommended that shut off valves are installed near the opening of the small front access panel in reachable distance.

Comfort Walk in Tubs

7210 Jordan Ave., Suite B20
Canoga Park, CA 91303
Toll Free: 888-399-1211, CA local: 818-710-1805

TESTING YOUR WALK IN TUB

All walk-in bathtubs are factory tested for proper operation and watertight connections prior to the packing and shipping. However, the unit must be retested by installer prior to installation. Comfort Walk in Tubs is not responsible for any defect that could have been discovered, repaired, or avoided by following this inspection and testing procedure.

1. Place the walk-in bathtub on a level surface near appropriate water and electrical supply and drainage. It can be done in homeowner's driveway or in the bathroom, as well.
2. Our walk in tubs comes with the flex drains connected. Please connect it to the existing home drain. If not, run a temporary drain. Fill up the water 2 inches below the overflow hole.
3. Hook up to the walk-in bath tub electrical and turn it on. Run pumps and ozone generator for 15 – 20 minutes and verify that all jets and joints are leak proof.
4. Do not install, seal or enclose the walk in bathtub if leaks are detected.

Caution: If walk-in bathtub is not resting on all six leveling feet, water will not drain properly and may cause the door to leak. Never allow the weight of the tub to be supported by wood support stringers as this will result in product failure and void the warranty. Verify the product is completely level by checking the tub deck surface and ensure all 7 leveling feet are touching the ground.

Every tub is 100% water tested at the factory with all pumps in working condition. However, transporting or carrying the tub may cause loose fittings, possible damages, or leaks. It is the contractor's responsibility to water test the bathtub with all pumps running prior to finishing the tub and wall installation. The contractor must make sure that all fittings by the pumps are retightened and the tub is leak proof. Any water or air jets can be retightened to stop the leaks. Almost any PVC pipe leaks can be easily fixed with plumbing epoxy putty sold at any hard ware store if needed. The contractor must verify the functionality of all fixtures such as the thermostatic control valve, diverter, LED lights, and pull out hand mixer. Insure that the thermostatic control valve operates in hot, cold and warm ranges. If for any reason, any of the parts are not functioning properly, please contact our customer support immediately.

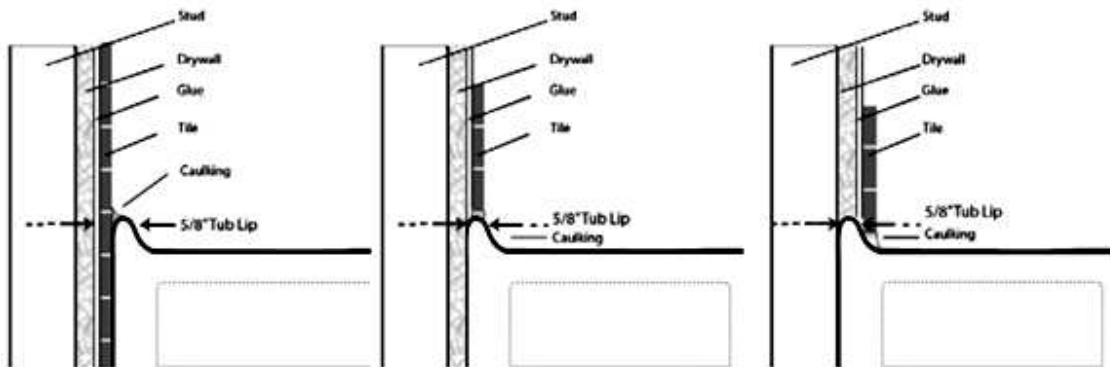
http://comfortwalkintubs.com/acrylic_walk_in_tub.html

Comfort Walk in Tubs

7210 Jordan Ave., Suite B20
Canoga Park, CA 91303
Toll Free: 888-399-1211, CA local: 818-710-1805

FINISHING INSTALLATION

After all of the water and electrical testing is completed, and all fixtures are checked, the tub can be installed to the surrounding wall, or walls. Comfort Walk in tubs come with low rise tile flange which allows two wall or one wall installations. The extension panel of the tub can be installed as needed for 60" openings.



The tub can be finished and tiled over as shown in images. Caulking must be applied to joints as needed after the tub is installed.

Note: The shower curtain and raise rod for the hand mixer can be installed per customer's responsibility. Any alterations or installed additions are the responsibility of the installer. Comfort Walk in Tubs is not responsible for any damage to the unit or for water damage which might occur due to improper installation.

Comfort Walk in Tubs

7210 Jordan Ave., Suite B20
Canoga Park, CA 91303
Toll Free: 888-399-1211, CA local: 818-710-1805

OPERATING INSTRUCTIONS

1. Enter the walk in tub, close the door and fill up the bathtub with water covering the top jets before activating the pumps. The door can be closed and locked with the handle from a seated or standing position. Do not apply any body weight on the door when entering and exiting the tub. The door and the door hinges are well built and are very durable. However, leaning on or applying users weight on the door may damage the door by changing the alignment of the door and creating water leaks. Such damages are not covered by the warranty. It is recommended to leave the door in the open position when the tub is not used to extend the life of the seal.
2. To fill up the bath tub with water, turn the spout handle in the on position, if so desired. If a shower is desired please turn on the shower diverter to the on position, the water will then flow freely out of the hand held shower mixer. Before turning on any water please adjust the desired temperature of the water, press hold in and turn the handle of thermostatic control valve clockwise to increase the temperature (toward H = Hot), and counter clockwise to decrease temperature (toward C= Cold). The thermostatic valve is set to 100.4 Fahrenheit's (for your safety).



3. To activate or deactivate the hydro massage pump, slightly push the on/off control.
4. The LED chromatherapy light can now be controlled manually with a click of a button. This button can be controlled with a press for on and off.
5. At the back of the walk in tub there in an air flow rate control knob. Turn the round switch clockwise or counter clockwise to adjust desired air massage flow rate. By turning the round handle you will be adding more or less air flow in to the air stream.
6. To activate or deactivate the air massage pump slightly push on/off control.
7. Do not use bubble bath or bath salts when any pumps are operating.

Comfort Walk in Tubs

7210 Jordan Ave., Suite B20
Canoga Park, CA 91303
Toll Free: 888-399-1211, CA local: 818-710-1805

OPERATING INSTRUCTIONS (continued)

8. Bath oils may be used; however, their frequent use will require more frequent cleaning of the air and hydro massage systems.
9. Both air and whirlpool systems are plumbed so that water will drain from the plumbing after each use.
10. Use ozone sterilization as desired only when the water level is above the top jets by pushing on/off control. Sterilization (operating) time is 10 to 15 minutes; the ozone will be injected in to the water stream.
11. The hand shower is equipped with a 5 ft long retractable flexible hose. The pressure of the hand mixer can be adjusted by turning the round shower head of the mixer.
12. There are no user serviceable parts located under the tub (behind the removable access panels).
13. Usually, a mild detergent will remove construction debris. More stubborn debris may be removed with denatured alcohol, or Clorox Soft Scrub cleaner. Light scratches and dulled areas may be restored to original luster by rubbing with a fine grade automotive type cleaning and polishing compound.
14. **IMPORTANT NOTE***** Hydro massage, Air massage and Chromatherapy push button control switches can be set in either 1,2,3 position as desired depending on its connection. Please consult with your installer as to your options. The diagram listed in this manual and on the specification sheet for the A101 Deluxe is suggesting for the best performance.

CLEANING AND MAINTENANCE

The pump and pipe circulation system should be flushed before the first use, and then on a monthly basis when product is under normal use.

Also: It is recommended that once a month, unscrew (counter clock wise) the suction cover and clean away any hair, lint or debris from the cover and housing - Then remount the cover in place. Never operate the unit with the safety suction cover off. Do not use abrasive cleaners, as they will scratch and dull the surface of the acrylic. Plaster can be removed using a wooden edge. **DO NOT USE METAL SCRAPER, WIRE BRUSHES, OR WATER**

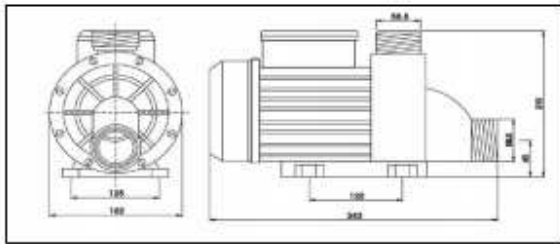
**To clean your bathtub, use a mild nonabrasive liquid detergent solution.*

http://comfortwalkintubs.com/acrylic_walk_in_tub.html

Comfort Walk in Tubs

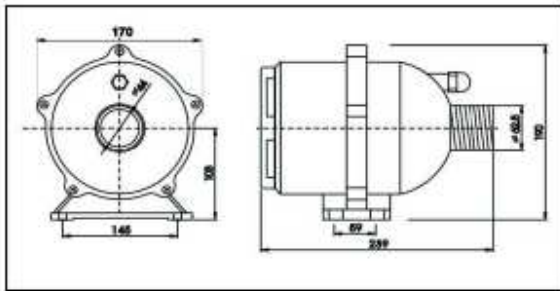
7210 Jordan Ave., Suite B20
Canoga Park, CA 91303
Toll Free: 888-399-1211, CA local: 818-710-1805

PARTS AND DETAILS



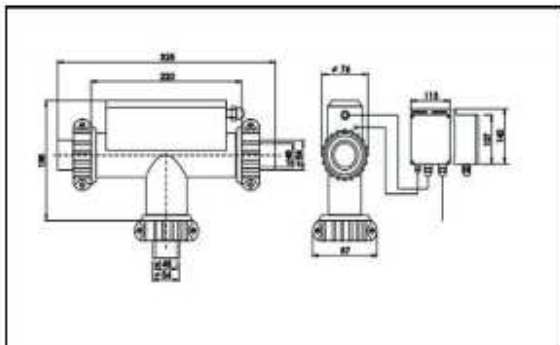
HYDRO PUMP

Model: TDA200
1.50 kw / 1HP
110V/60HZ
Dimensions: 340X152X210mm
Weight: 17.64lbs



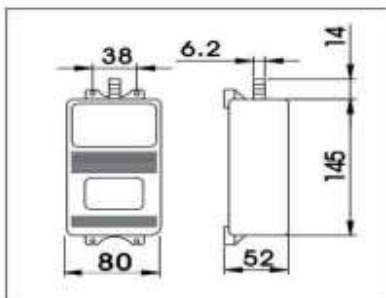
AIR PUMP

Model: DXD 6 1.5HP single phase
110V/60HZ
Noise 8,5Db
Dimensions: 239x190x190mm
Weight: 6.6lbs



WATER HEATER

Model: Hw1500
1.5kw single phase
110V/60Hz control 12V
Dimensions: 325x76x136mm
Weight: 3.92lbs



OZONE STERILIZATION

Model: CY-01 AC 12V 5W 0.5A
Dimensions: 145X80X50mm
Weight: 1.04lbs

Comfort Walk in Tubs

7210 Jordan Ave., Suite B20
Canoga Park, CA 91303
Toll Free: 888-399-1211, CA local: 818-710-1805

EXTENSION PANELS

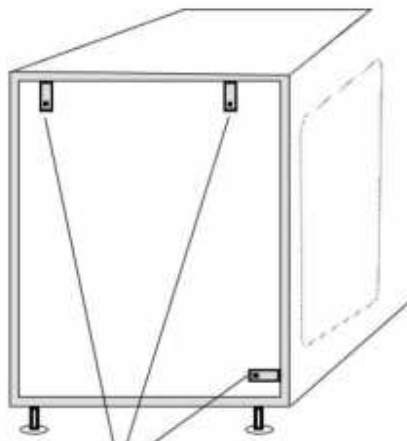
Dimensions: 4 ½"W x 29 ½"L x 38"H

Parts:

- | | |
|----------------------------------|---------------------------|
| (3) "L" Stainless Steel Brackets | (15) Med Washers |
| (7) 1" Bolts | (14) Small Washers |
| (7) ½" Nuts | (1) 48" Rubber Seal Strip |

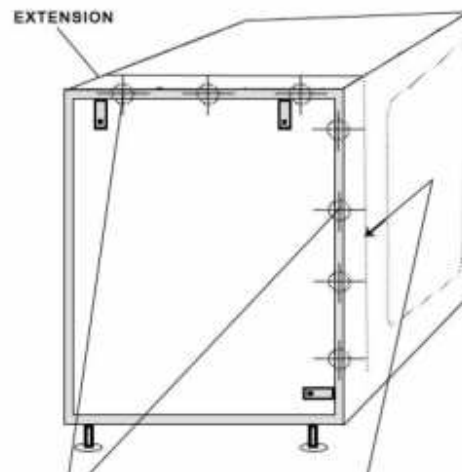


EXTENSION INSTALLATION (OPTIONAL)



INSTALL 3 EXTENSION SUPPORT BRACKETS
BRACKETS ARE PROVIDED WITH EXTENSION KIT

*THE EXTENSION KIT CAN BE INSTALLED AS NEEDED
OPENING CAN BE FRAMED AND FILLED AS DESIRED.



MOUNT EXTENSION WITH 7 SCREWS AND BOLTS PROVIDED WITH
EXTENSION KIT

USE SEAL STRIP PROVIDED WITH EXTENSION KIT (OPTIONAL)
APPLY SILICONE OR WHITE CAULKING AS NEEDED

Comfort Walk in Tubs

7210 Jordan Ave., Suite B20
Canoga Park, CA 91303
Toll Free: 888-399-1211, CA local: 818-710-1805

WARRANTY INFORMATION

- The bathtub shell, frame and finish are covered by a limited lifetime warranty.
- The door and door seal are covered by a limited lifetime warranty under normal use and conditions.
- All supporting equipment, motors, electronic controls, faucet, waste and overflow, and all plated finishes are covered by a limited five (10) year Warranty.
- This warranty is nontransferable and applies only to the original owner.
- Additional servicing is not warranted by the factory (manufacturer). Additional servicing i.e.(services that extend or are not included in the manufacturer's (10) yr. warranty).

CONTACT INFORMATION

- Toll Free Number: 1-888-399-1211
- Website: <http://comfortwalkintubs.com/>
- Email: mel@comfortwalkintubs.com

http://comfortwalkintubs.com/acrylic_walk_in_tub.html

Comfort Walk in Tubs

7210 Jordan Ave., Suite B20
Canoga Park, CA 91303
Toll Free: 888-399-1211, CA local: 818-710-1805

WARRANTY ACTIVATION (First Page)

MODEL: Acrylic 101 Walk in Tubs - Deluxe

PURCHASE DATE: _____ PURCHASE PRICE: _____

PLACE OF PURCHASE: _____

CONTACT NAME: _____ PHONE NUMBER: _____

Upon the complete installation of the A101 Walk In Bathtub, the following Warranty Report must be completed and returned to Comfort Walk in Tubs Direct in order for the Warranty to be activated (faxed, scanned and emailed or hard copy mailed).

The Warranty Report MUST be signed by both the Installer and the Customer/Home Owner. _____

You inspected and verified the overall condition of A101 walk in tub at the time of delivery? _____

Have the fixtures been installed correctly - i.e. are both the Hot and Cold supplies functioning through the fixtures and thermostatic control valve? _____

Does the waste/overflow plumbing work correctly? Check to assure that the drain stopper raises to the proper level and that the stopper is properly seated/adjusted and back-nut secured. _____

Have you checked to make sure that the Walk in bathtub is leveled (top of the bathtub)? _____

Are all of the bathtub 7 leveling feet touching the floor and completely supporting bathtub? _____

Has the door seal and the door jam been thoroughly cleaned with rubbing alcohol to remove dust and other foreign materials? _____

Has the door been water tested, i.e. fill the bathtub with water to just below the drain overflow then allow the water to stand for 15 minutes? Inspect around the door. _____

Has the plumbing system and jets been tested, i.e. after the door has been tested, turn on the pump/s and allow to run for 20 minutes, check for leaks around the jets and fittings? _____

Is the bathtub frame grounded? _____

NOTE: In order for the Walk-In Tub to be covered under warranty, the unit must be installed with access to the fixtures, pump/s and plumbing. _____

http://comfortwalkintubs.com/acrylic_walk_in_tub.html

Comfort Walk in Tubs

7210 Jordan Ave., Suite B20
Canoga Park, CA 91303
Toll Free: 888-399-1211, CA local: 818-710-1805

WARRANTY ACTIVATION (Second Page)

OWNER'S INFORMATION:

INSTALLER'S INFORMATION:

To activate manufacturer's warranty please use one of the options below:

Via mail: Comfort Walk in Tubs Direct . ATTN: Warranty Dept.
7210 Jordan Ave., Suite B20
Canoga Park, CA 91303

Via fax: 1-818-564-4136
Via e-mail: mel@comfortwalkintubs.com